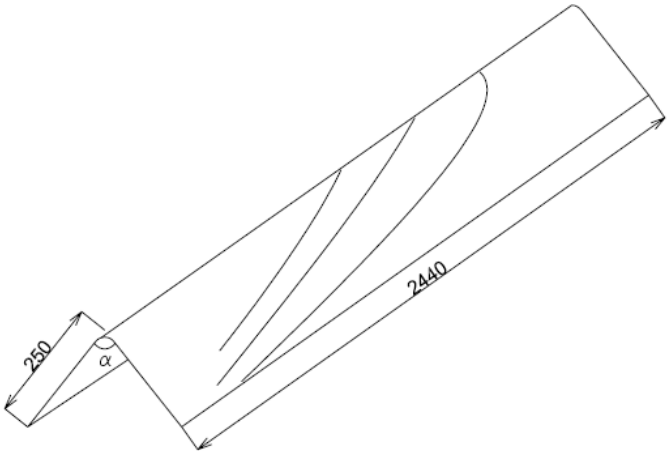
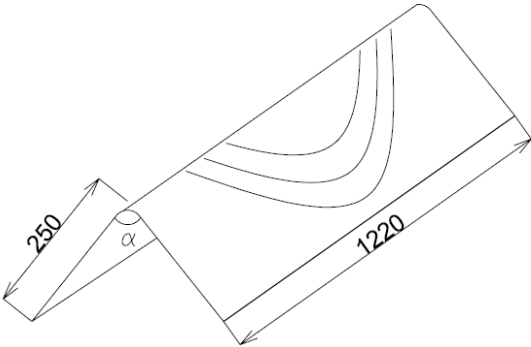


MATERIAL:	THICKNESS:	SURFACE FINISH:		
CORNER PRODEX	6	SMOOTH		
TESTS	RESULTS	PROPERTY OR ATTRIBUTE	MEASURE UNIT	STANDARD

1. INSPECTION REQUIREMENTS

Colour, pattern and surface finish	Due to the fact that wood is a natural product, each veneer may be considered as unique. Slight colour and structure differences are considered as normal. Singularities such as knots and resin inclusions are not considered as defects, but as a part of the décor. There are differences in light fastness performances depending on the wood species and the source of the wood.	EN 438-8 Part 5.2.2.3
------------------------------------	---	-----------------------

2. DIMENSIONAL SPECIFICATIONS

	
<p>Thickness: 6mm Angle α: 90° Curvature radius: 50 mm Dimensional tolerances: $\pm 10\%$ Available on both, interior and exterior corner</p>	<p>Thickness: 6mm Angle α: 90° Curvature radius: 50 mm Dimensional tolerances: $\pm 10\%$ Available on both, interior and exterior corner</p>

3. PHYSICAL PROPERTIES

Resistance to impact by large diameter ball	≥ 1.800	Maximum height for which no visible surface cracking or imprint greater than 10 mm	mm	EN 438-2 Part 21
Determination of graffiti resistance	Level 4 Level 4 Level 1 Level 2	Permanent blue marker Spray red paint Wax black crayon Water based ink black marker	Cleanability level	ASTM D 6578:2000

4. WEATHER RESISTANCE REQUIREMENTS

Resistance to UV light	≥ 3 ≥ 4	Contrast Aspect	Grey scale rating Rating	EN 438-2 Part 28 Rating according to EN 20105 – A02
Resistance to artificial weathering (Including light fastness)	≥ 3 ≥ 4	Contrast Aspect	Grey scale rating Rating	EN 438-2 Part 29 Rating according to EN 20105 – A02

5. SAFETY REQUIREMENTS

Reaction to fire	D-s2,d0 (1)	Euroclass	Classification	EN 13.501-1
Water vapour permeability	110 250	Wet cup meted Dry cup method	μ	EN 438-7 Part 4.4
Resistance to fixings	> 2.000	Screw holding value	N	EN 438-7 Part 4.5
Density	$\geq 1,35$	Density	g/cm ³	EN ISO 1.183
Resistance to wet conditions	≤ 5 ≥ 4	Moisture absorbed Appearance	% Rating	EN 438-2 Part15

(1) CWFT: Classified Without Further Testing according to EN 438 Part 7, 4.2.3.

Screw or rivet fixing is recommended. For any other fixing system please contact PRODEMA's Technical Department